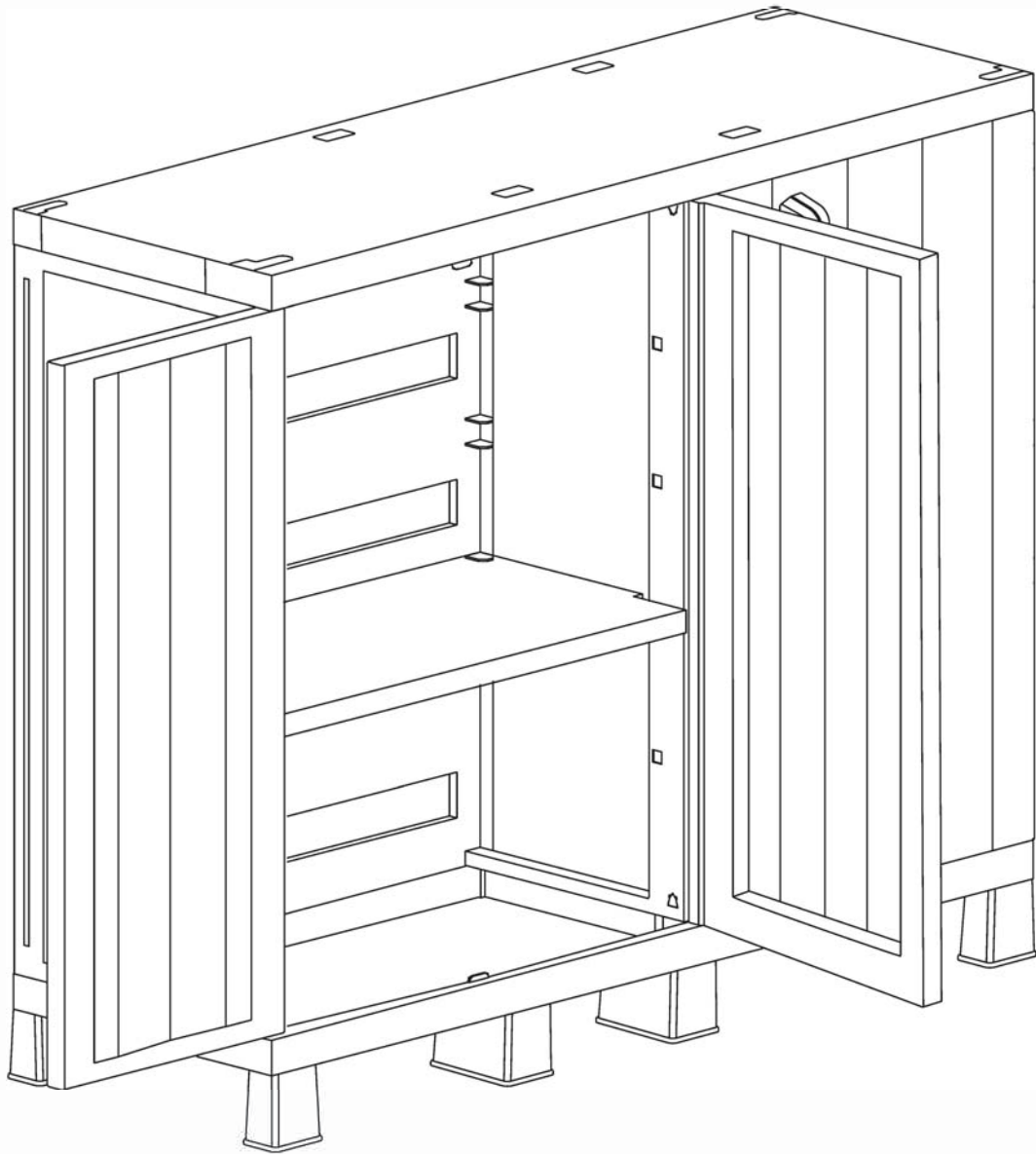


# TOOMAX<sup>®</sup>

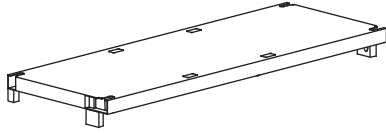
## ANNIVERSARY MIDI



**Art. 279** cm 97x37x93h | in 38x15x33h

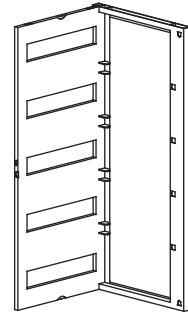


**Z**



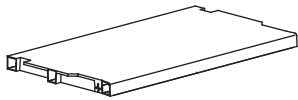
**PZ / PCS 2**

**B**



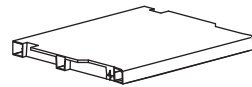
**PZ / PCS 3**

**D**



**PZ / PCS 1**

**V**



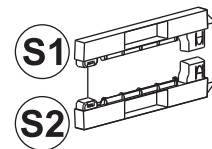
**PZ / PCS 1**

**C**



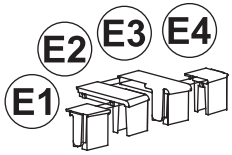
**PZ / PCS 3**

**S**



**PZ / PCS 1**

E



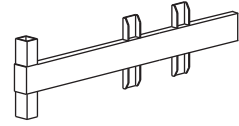
PZ / PCS 1

I



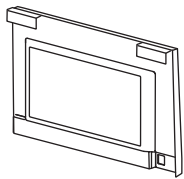
PZ / PCS 6

M



PZ / PCS 2

Q



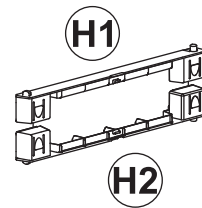
PZ / PCS 1

O



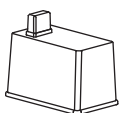
PZ / PCS 3

H



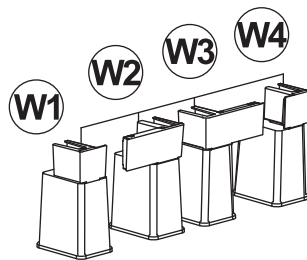
PZ / PCS 3

J



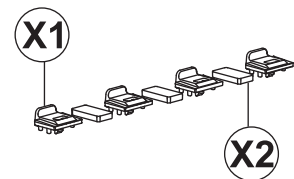
PZ / PCS 4

W



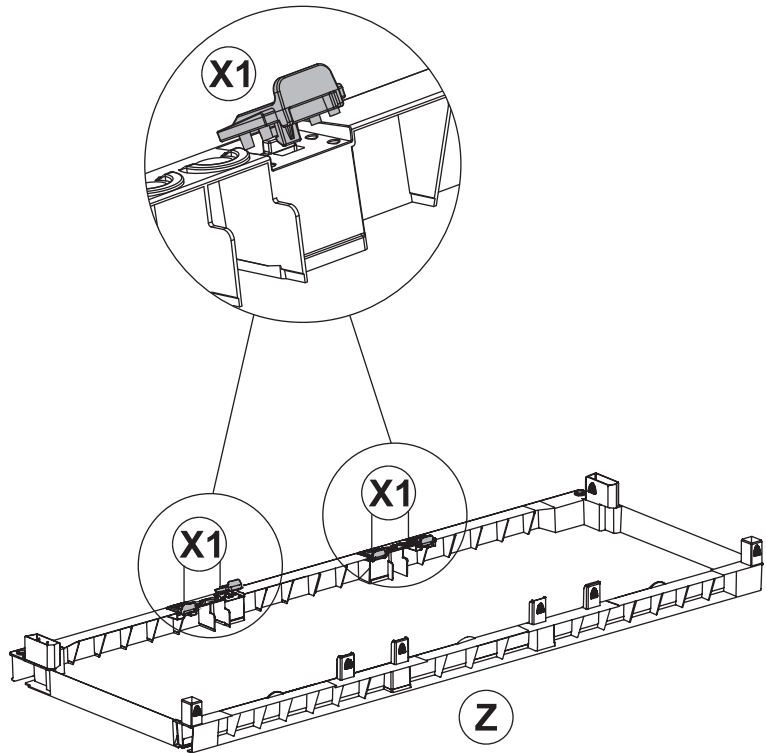
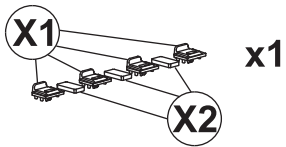
PZ / PCS 1

X

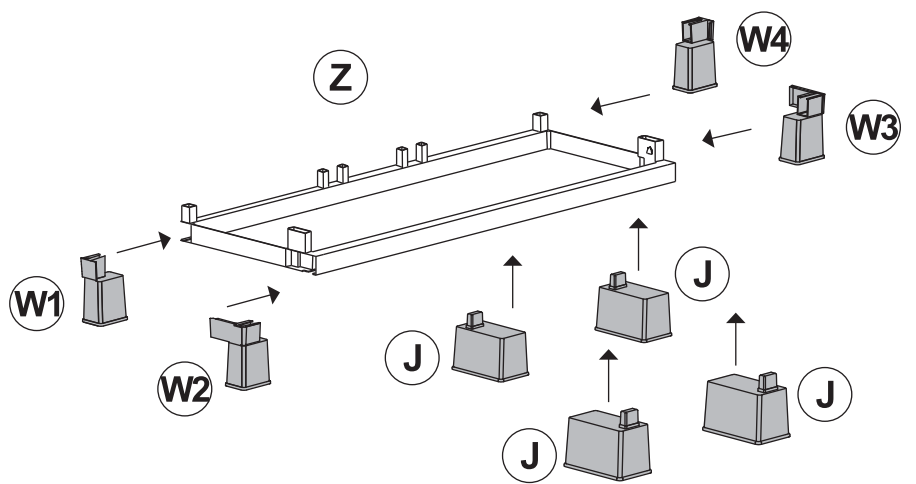
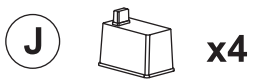
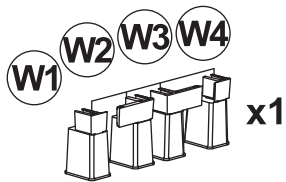
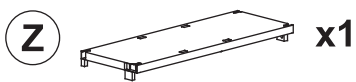


PZ / PCS 2

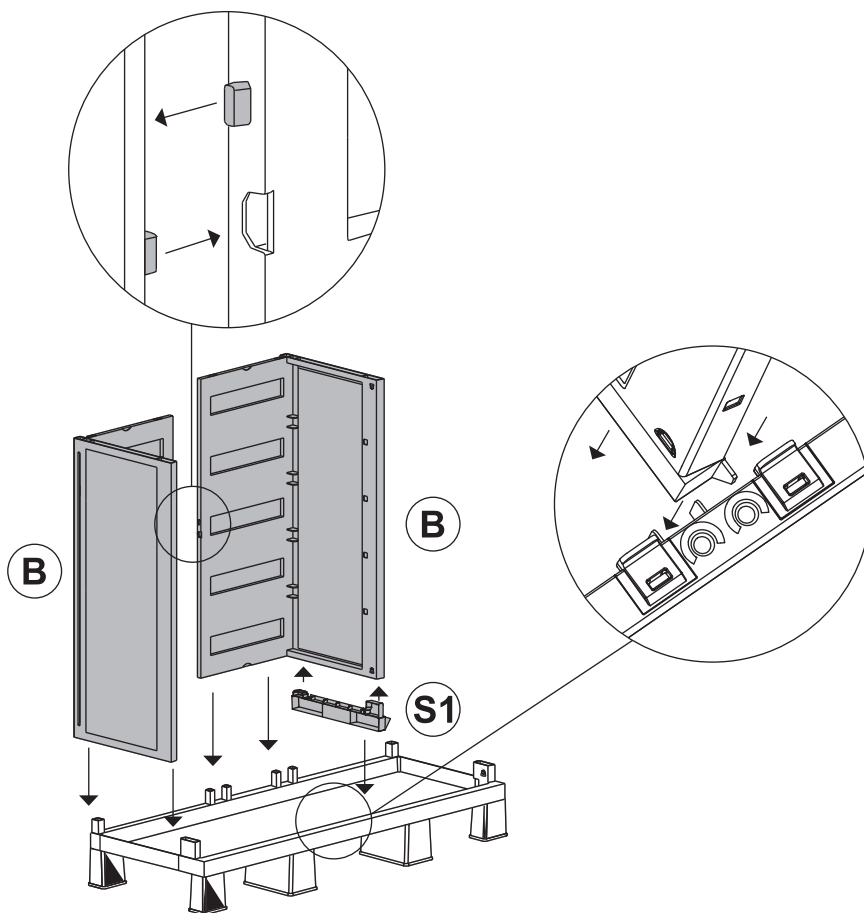
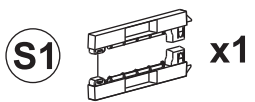
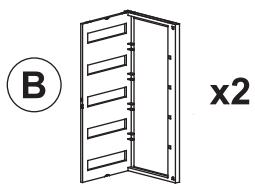
1



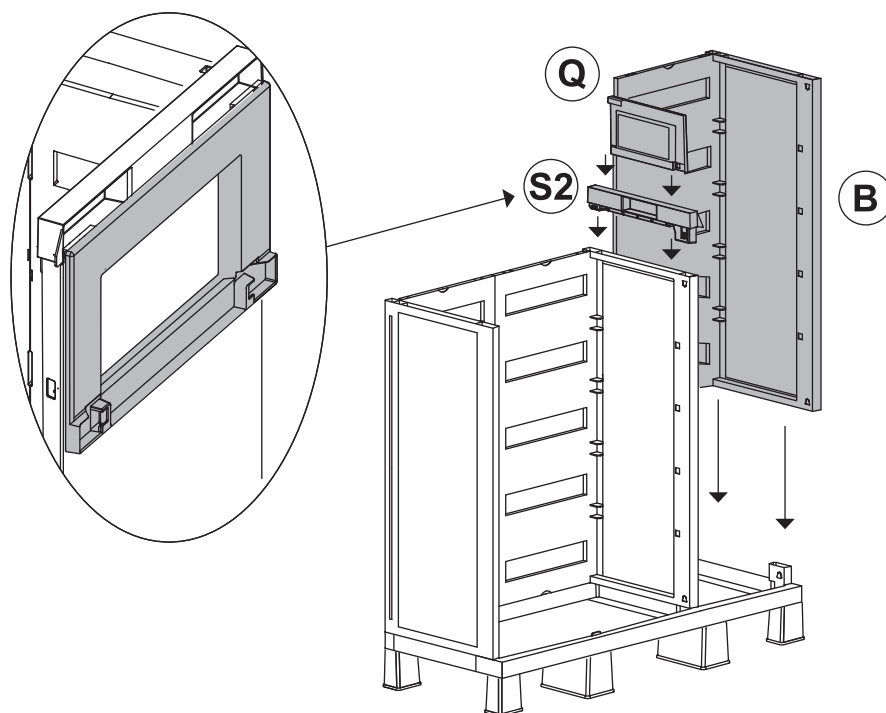
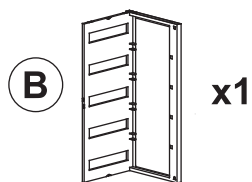
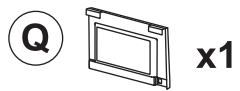
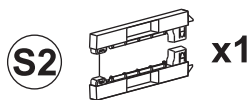
2



3

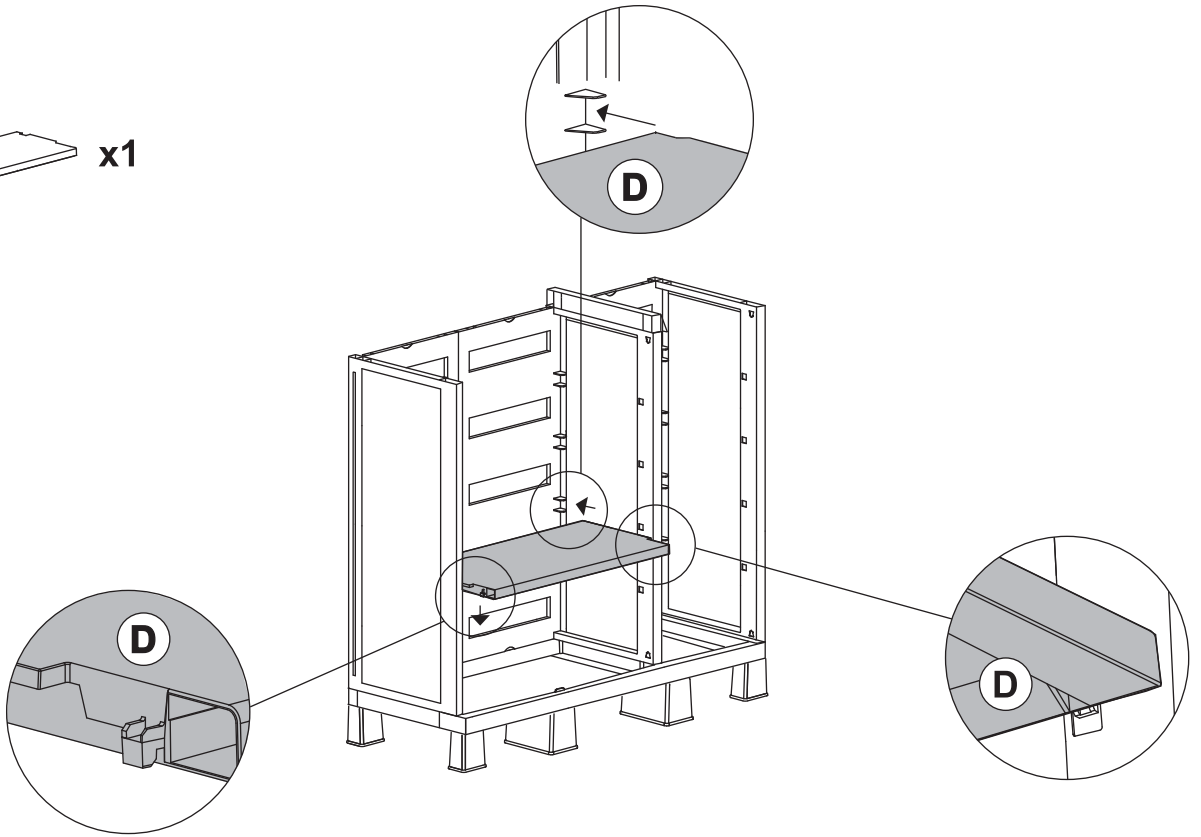


4



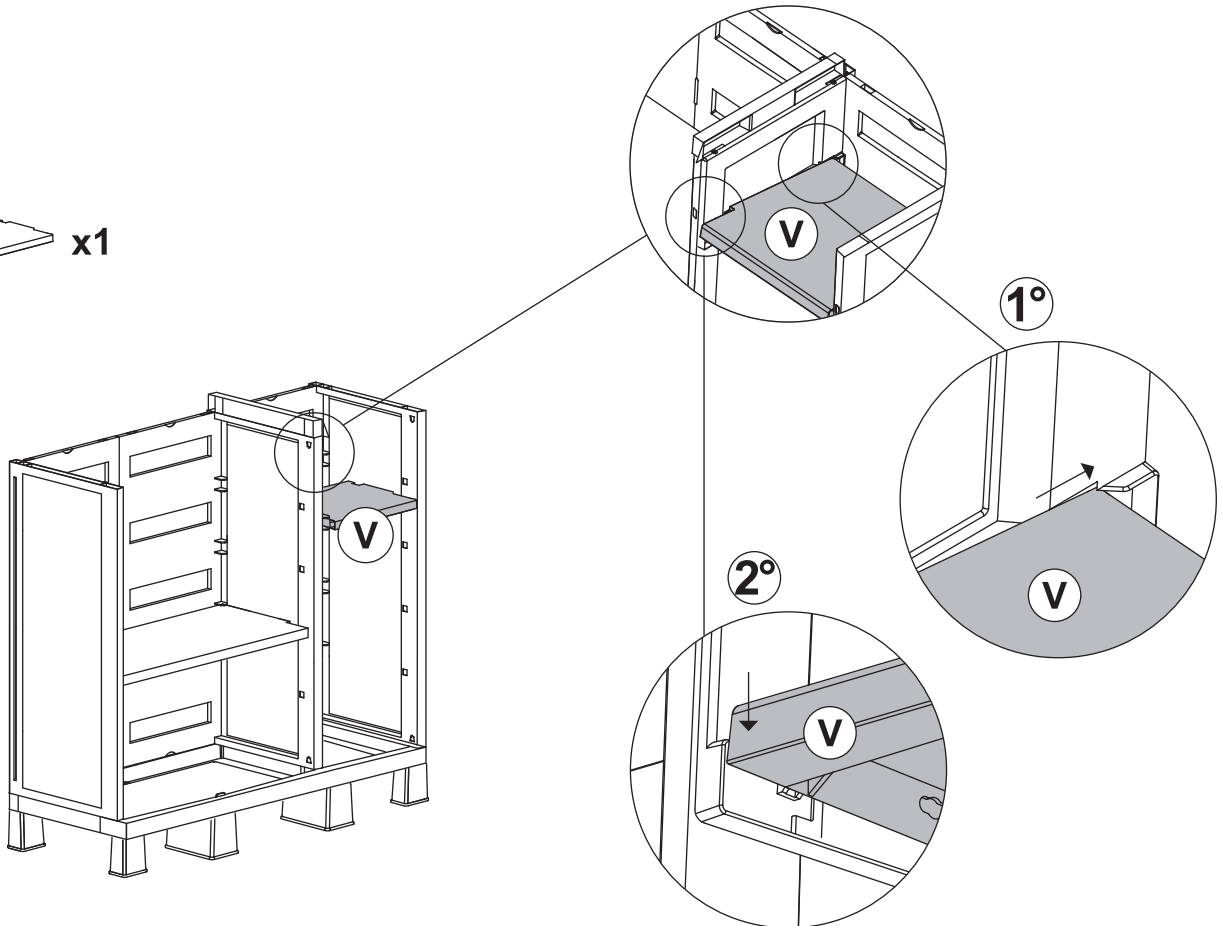
**5**

**D** x1

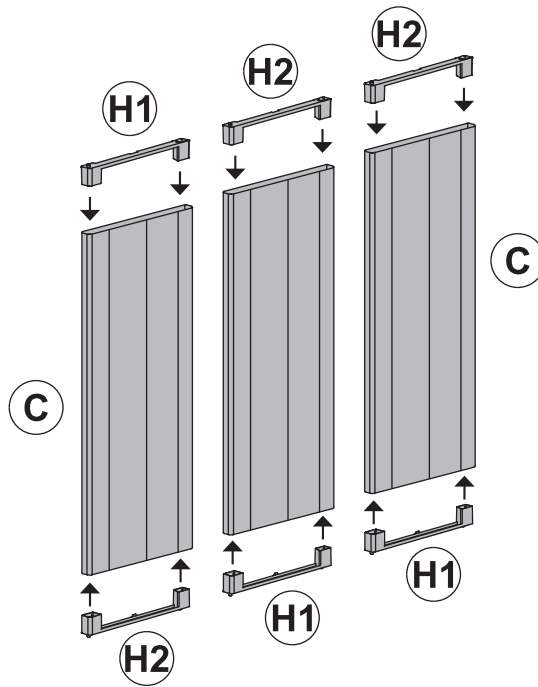
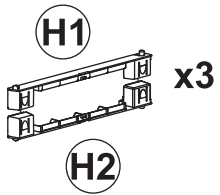
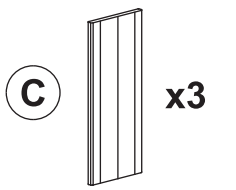


**6**

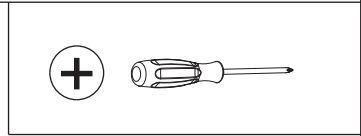
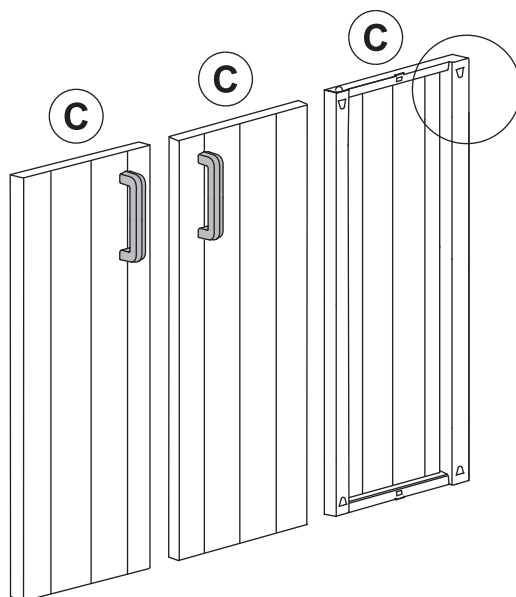
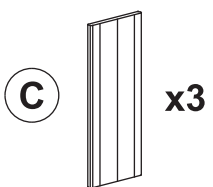
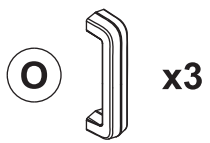
**V** x1



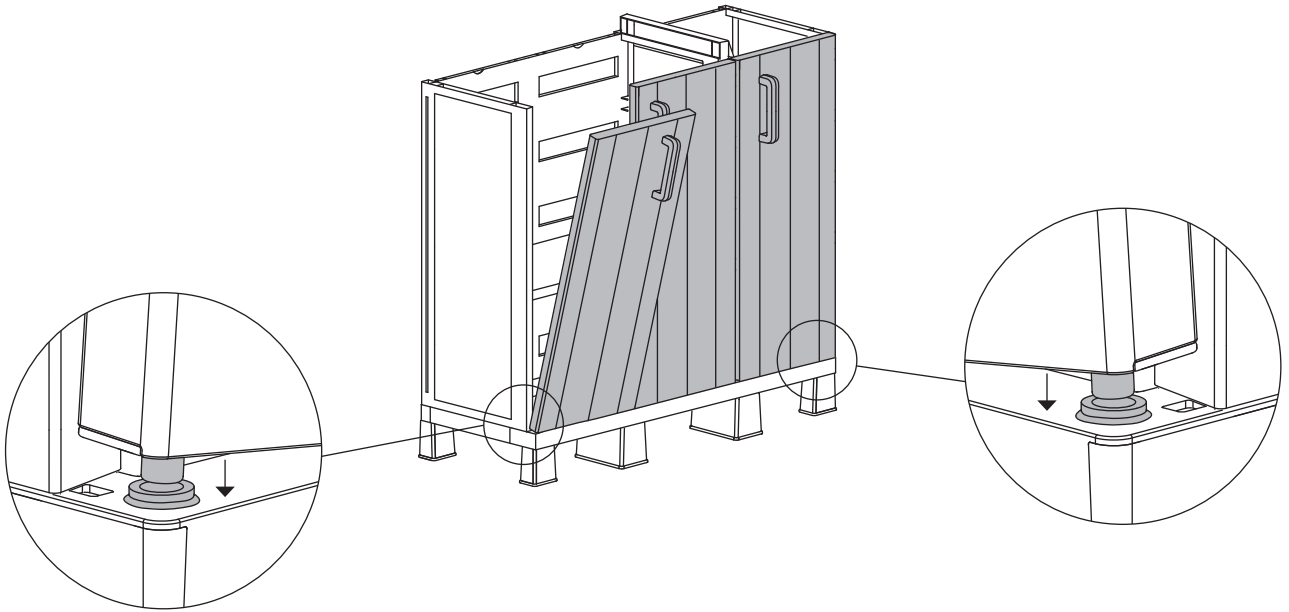
7



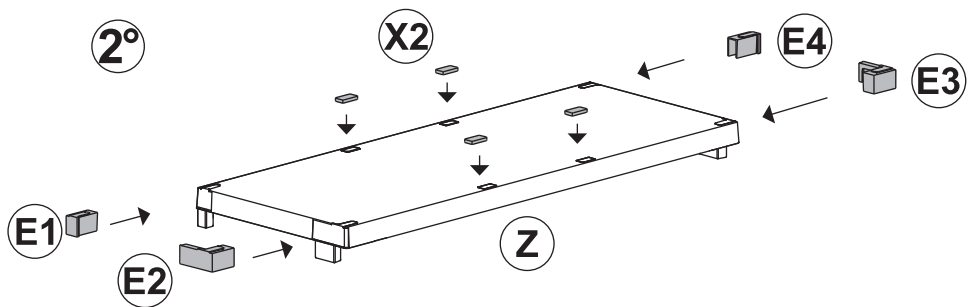
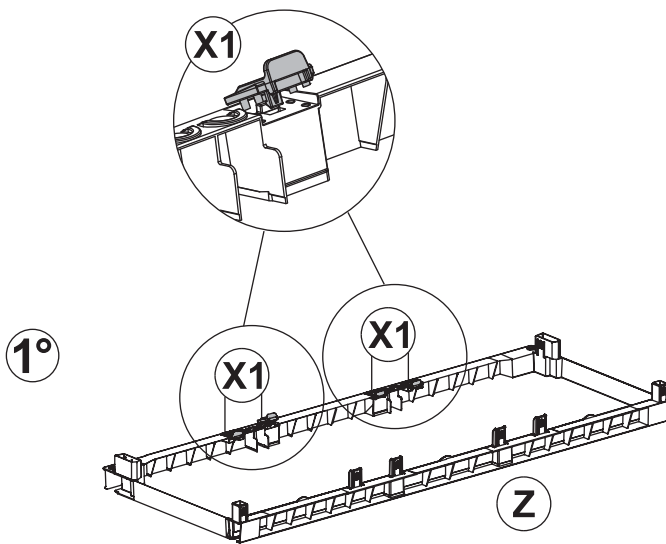
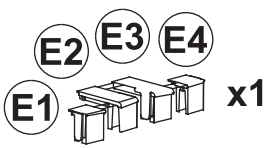
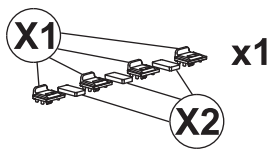
8



9



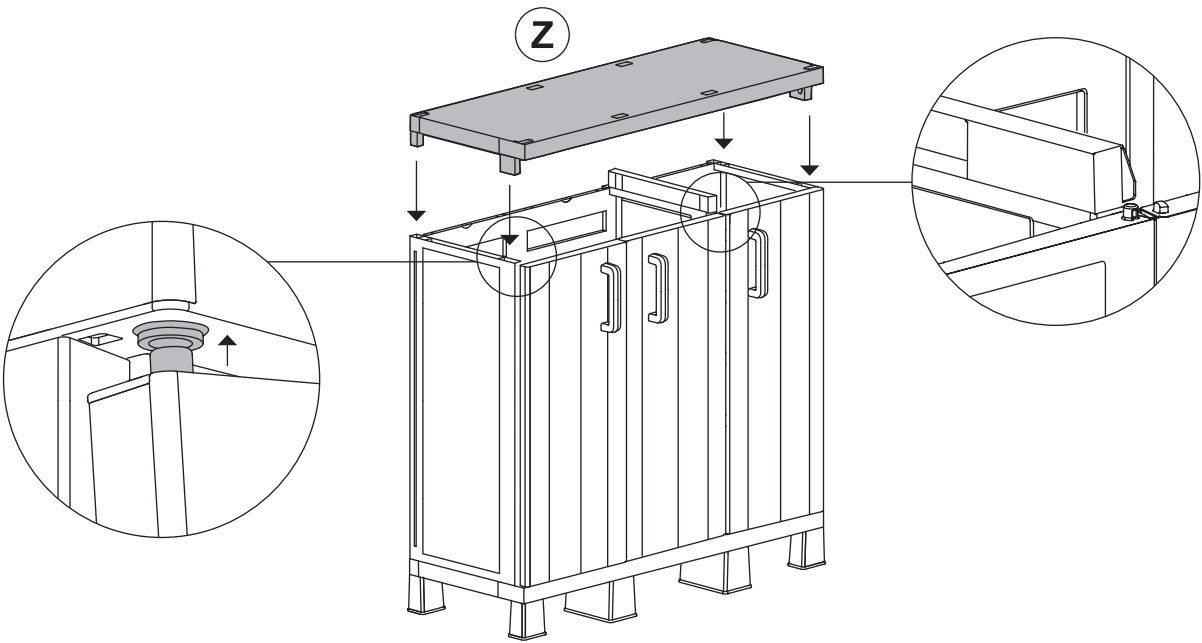
10





11

Z x1



---

---

---

---

---

---

---

---

---

---

---

---

---

---

---

---

---

---

---

---

---

---

---

---

---

---

---

---

---

---

---

---

---

---

---

---

---

---

---

---

---

---

---

---

---

---

---

---

---

---



**Plastmeccanica S.p.A.**

Viale del Lavoro, 3

60030 Castelbellino (An) - ITALY

Tel. +39 0731 70766 - Fax +39 0731 703796

[info@plastmeccanica.it](mailto:info@plastmeccanica.it)



[www.toomax.it](http://www.toomax.it)